

SKU: DBWR3

TABLETOP WOODEN RISER SET

USER GUIDE

DANDELION

RESPONSIBLY CREATING BETTER PRODUCTS FOR A BETTER WORLD

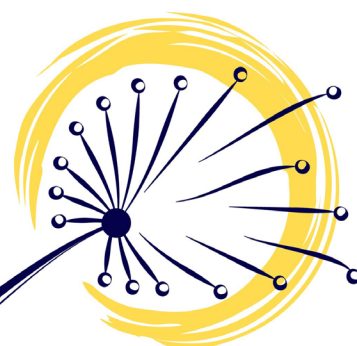
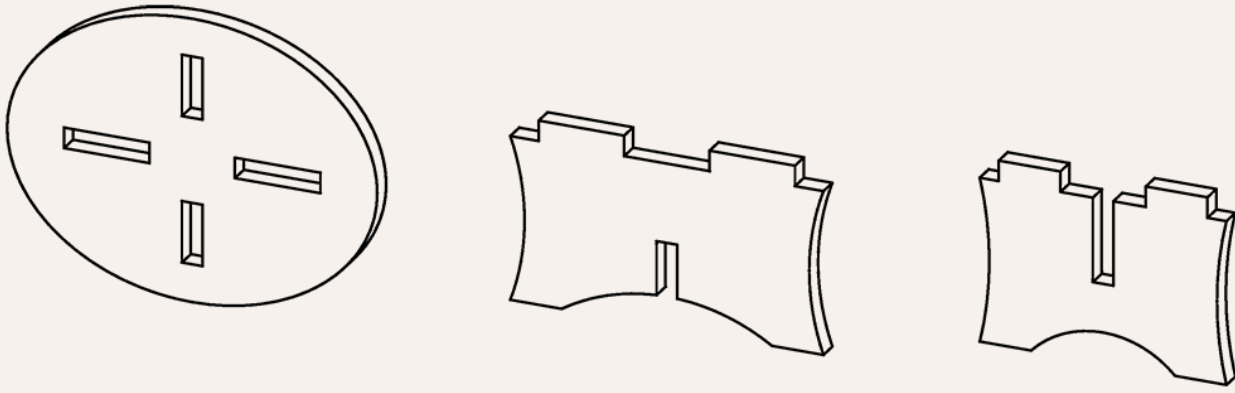


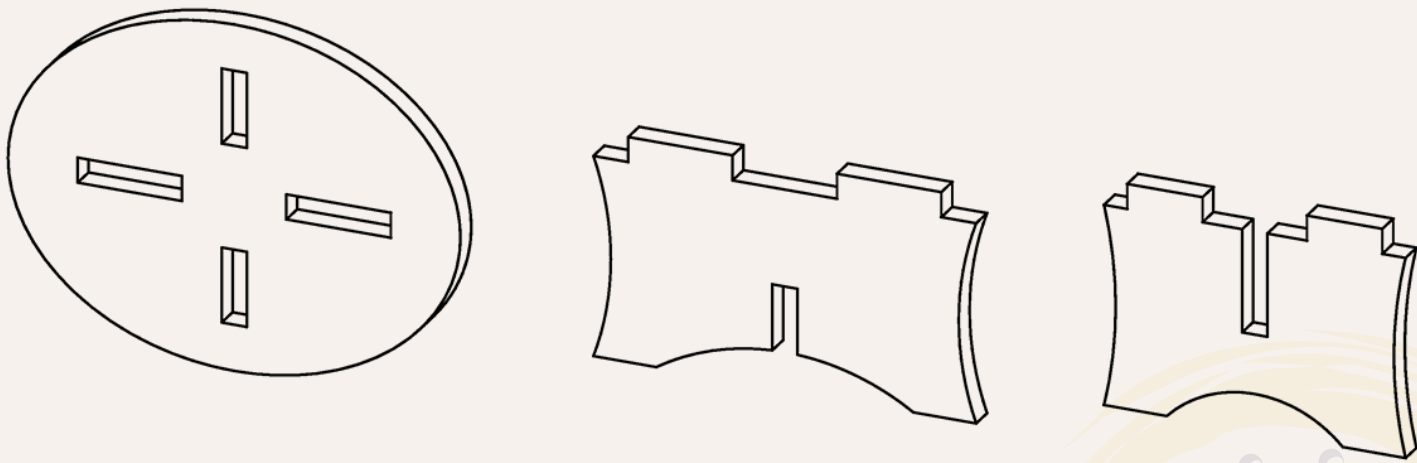
Table of Contents

USER GUIDE

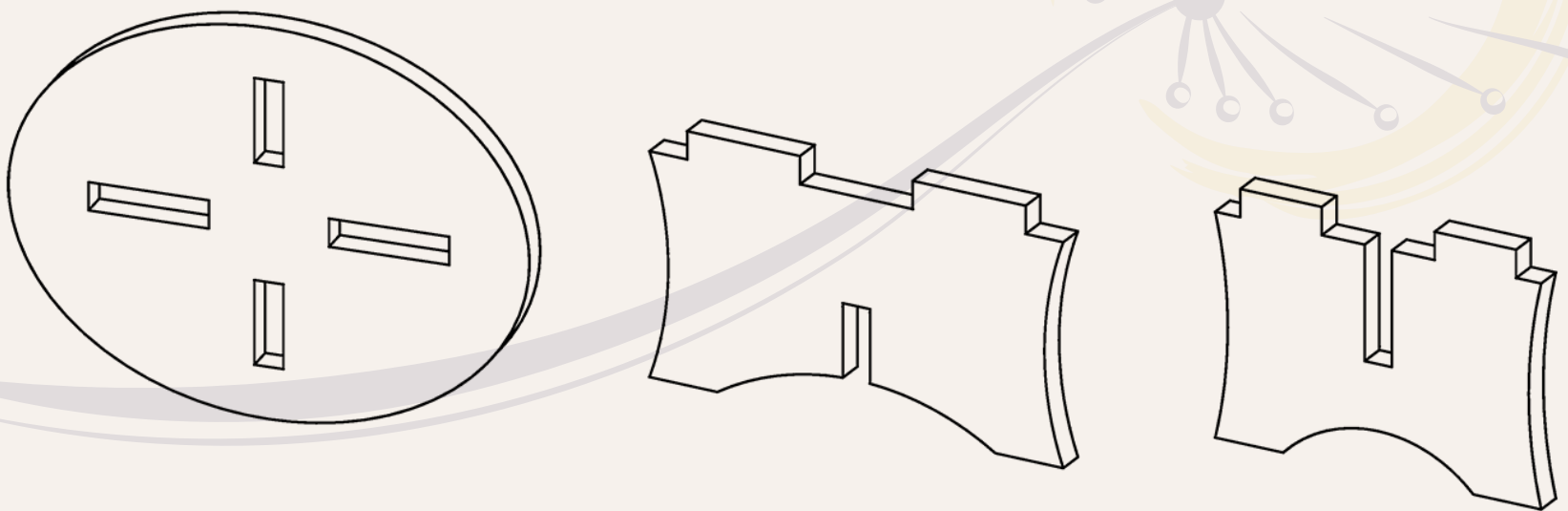
A. Small Riser X1



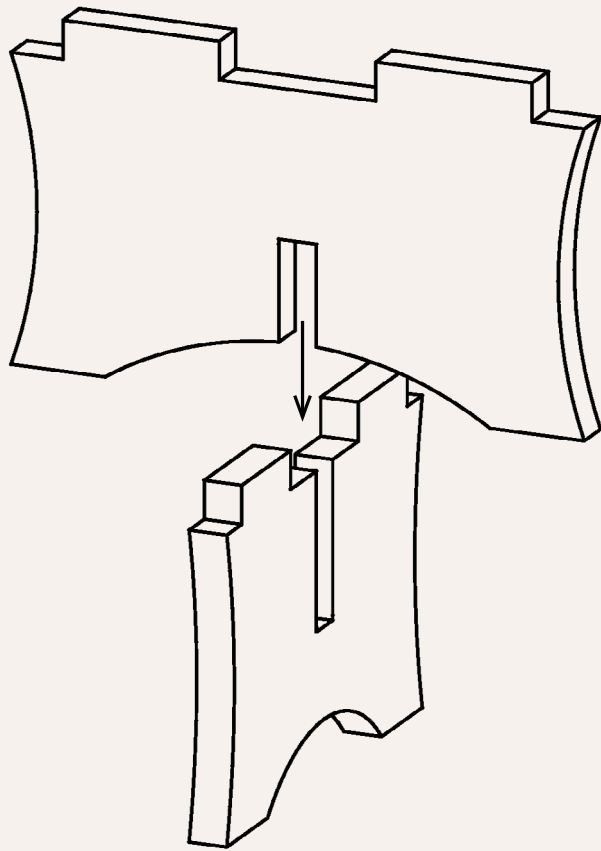
B. Medium Riser x1



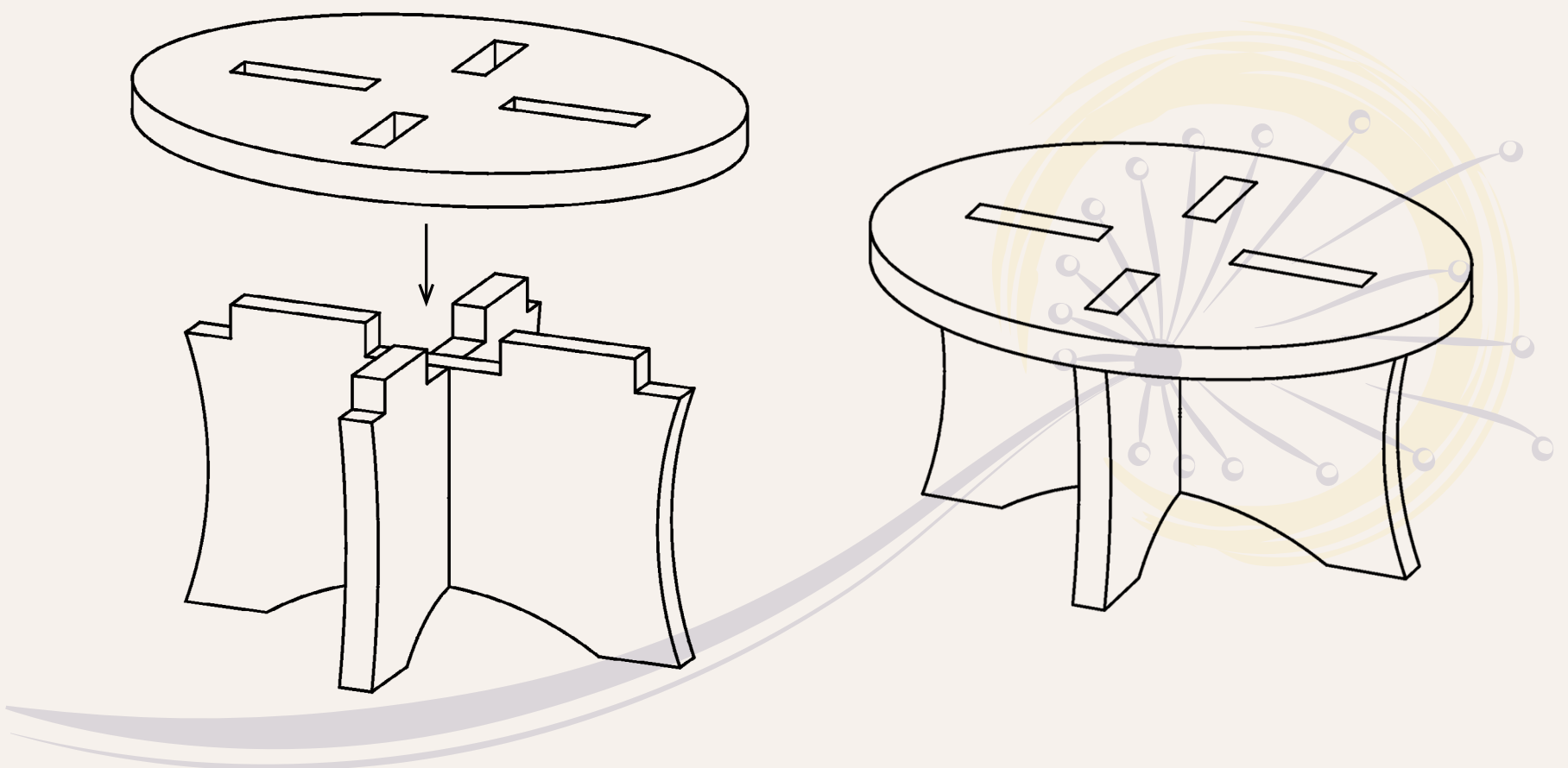
C. Large Riser X1



PARTS DIAGRAM

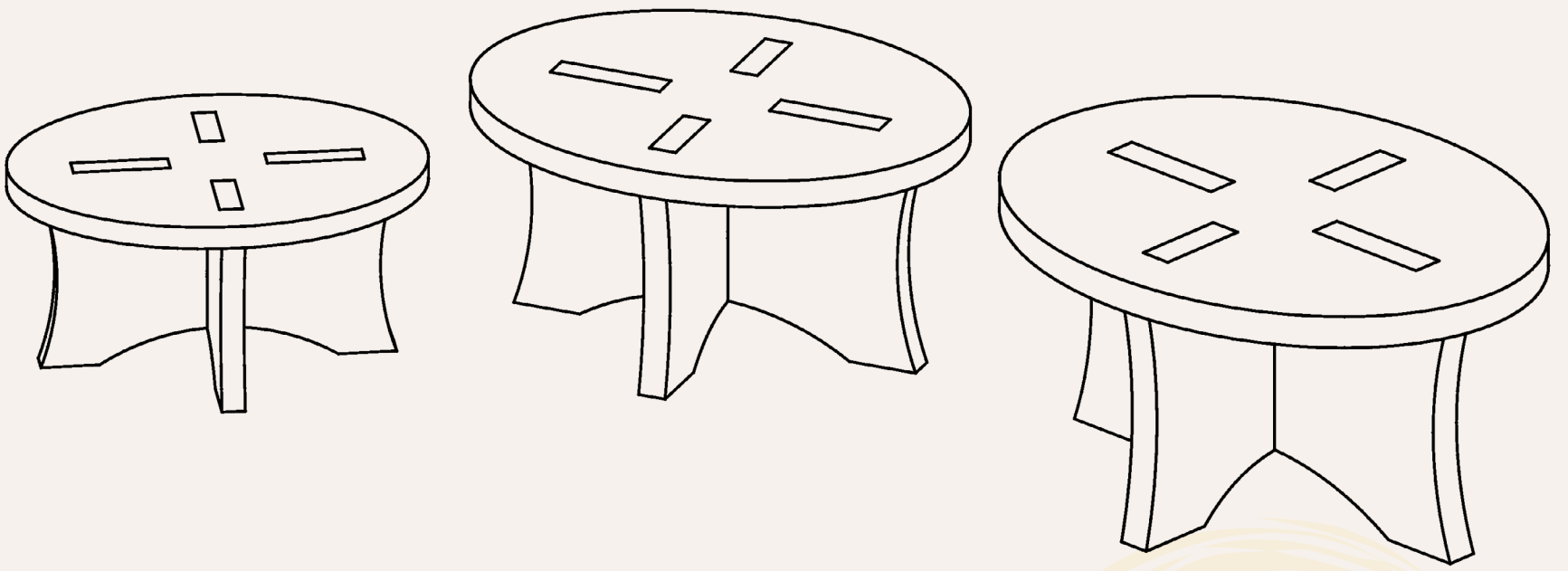


1. Connect one set of two base boards together by interlocking at the middle.



2. Place the top panel onto the assembled base. Align slots with tabs and press down firmly.

ASSEMBLY INSTRUCTIONS



3. Repeat Step 1-2 to assemble the other two risers.



ASSEMBLY INSTRUCTIONS

THANK YOU FOR SPREADING
THE SEEDS OF SUSTAINABILITY
AND HELPING TO PROTECT
OUR PLANET.



HAVE A QUESTION? GET IN TOUCH WITH
OUR DANDELION REPRESENTATIVES AT:
888-257-6639

CONTACT US